

EV1527 OTP Encoder

EV1527 Description: (Compatible:EV1527,RT1527,FP1527)

EV1527 is OTP Encoder utilizing CMOS technology process. EV1527 has a maximum of 20 bits providing up to 1 million codes. It can reduce any code collision and unauthorized code scanning possibilities.

EV1527 Features: (Compatible:EV1527,RT1527,FP1527)

CMOS Technology

Low stand by Current:1.0uA

Wide range of Operating Voltage:Vcc = 3.0~12V

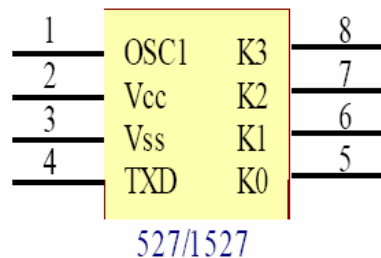
Up to 4 data pins

Total 1048576 address codes

Single Resistor Oscillator

Available in DIP and SOP Package

EV1527 Pin out: (Compatible:EV1527,RT1527,FP1527)



EV1527 Pin Description: (Compatible:EV1527,RT1527,FP1527)

| Pin No. | Name | Description | I/O |
|---------|------|-----------------------------------|-----|
| 1 | OCSI | Oscillator input pull-up R to Vcc | I |
| 2 | Vcc | Positive power supply | |
| 3 | GND | Ground | |
| 4 | Dout | Data output pin | O |
| 5 | K0 | Data input with pull-low R | I |
| 6 | K1 | Data input with pull-low R | I |
| 7 | K2 | Data input with pull-low R | I |
| 8 | K3 | Data input with pull-low R | I |

Silvan Chip Electronics Tech.Co.,Ltd.

Address: Fl.16 FuChang Building,Binhe Rd,Shenzhen,China

Phone: 86-0755-88291843 88304213 Fax : 86-0755-88290509

Email: jj@sc-tech.cn

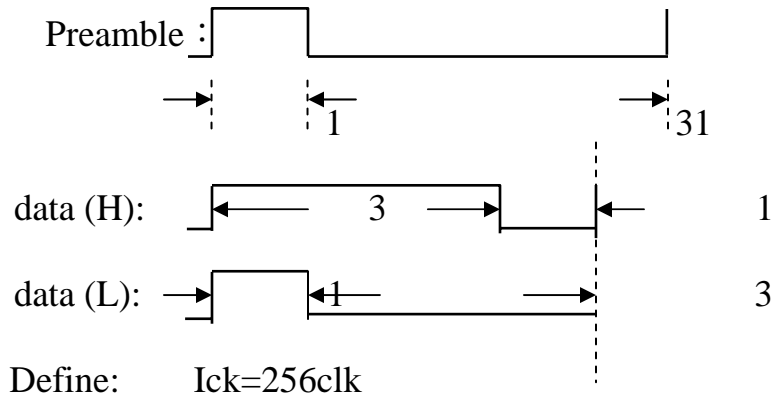
Http:// www.sc-tech.cn

EV1527 OTP Encoder

EV1527 Output format: (Compatible:EV1527,RT1527,FP1527)

Output data frame:

| | | | | | |
|----------|----------------------------|----|----|----|----|
| Preamble | C0 ~ C19 (1 million codes) | D0 | D1 | D2 | D3 |
|----------|----------------------------|----|----|----|----|



EV1527 K0~K3 combination Table: (Compatible:EV1527,RT1527,FP1527)

| K3 | K2 | K1 | K0 | D3 | D2 | D1 | D0 |
|----|----|----|----|----|----|----|----|
| 0 | 0 | 0 | 1 | 0 | 0 | 0 | 1 |
| 0 | 0 | 1 | 0 | 0 | 0 | 1 | 0 |
| 0 | 0 | 1 | 1 | 0 | 0 | 1 | 1 |
| 0 | 1 | 0 | 0 | 0 | 1 | 0 | 0 |
| 0 | 1 | 0 | 1 | 0 | 1 | 0 | 1 |
| 0 | 1 | 1 | 0 | 0 | 1 | 1 | 0 |
| 0 | 1 | 1 | 1 | 0 | 1 | 1 | 1 |
| 1 | 0 | 0 | 0 | 1 | 0 | 0 | 0 |
| 1 | 0 | 0 | 1 | 1 | 0 | 0 | 1 |
| 1 | 0 | 1 | 0 | 1 | 0 | 1 | 0 |
| 1 | 0 | 1 | 1 | 1 | 0 | 1 | 1 |
| 1 | 1 | 0 | 0 | 1 | 1 | 0 | 0 |
| 1 | 1 | 0 | 1 | 1 | 1 | 0 | 1 |
| 1 | 1 | 1 | 0 | 1 | 1 | 1 | 0 |
| 1 | 1 | 1 | 1 | 1 | 1 | 1 | 1 |

EV1527 Absolute Maximum Rating: (Compatible:EV1527,RT1527,FP1527)

| Symbol | Parameter | Conditions | Rating | Unit |
|--------|-----------------------|------------|----------------|------|
| Vcc | Supply voltage | | -0.3 ~ 13 | V |
| VI | Input voltage | | -0.3 ~ Vcc+0.3 | V |
| Vo | Output voltage | | -0.3 ~ Vcc+0.3 | V |
| Tst | Storage temp | | -40 ~ 125 | °C |
| Top | Operating temp | | -20 ~ 70 | °C |
| Pdis | Max.power dissipation | Vcc = 12V | 300 | mW |

Silvan Chip Electronics Tech.Co.,Ltd.

Address: Fl.16 FuChang Building,Binhe Rd,Shenzhen,China

Phone: 86-0755-88291843 88304213 Fax : 86-0755-88290509

Email: jj@sc-tech.cn

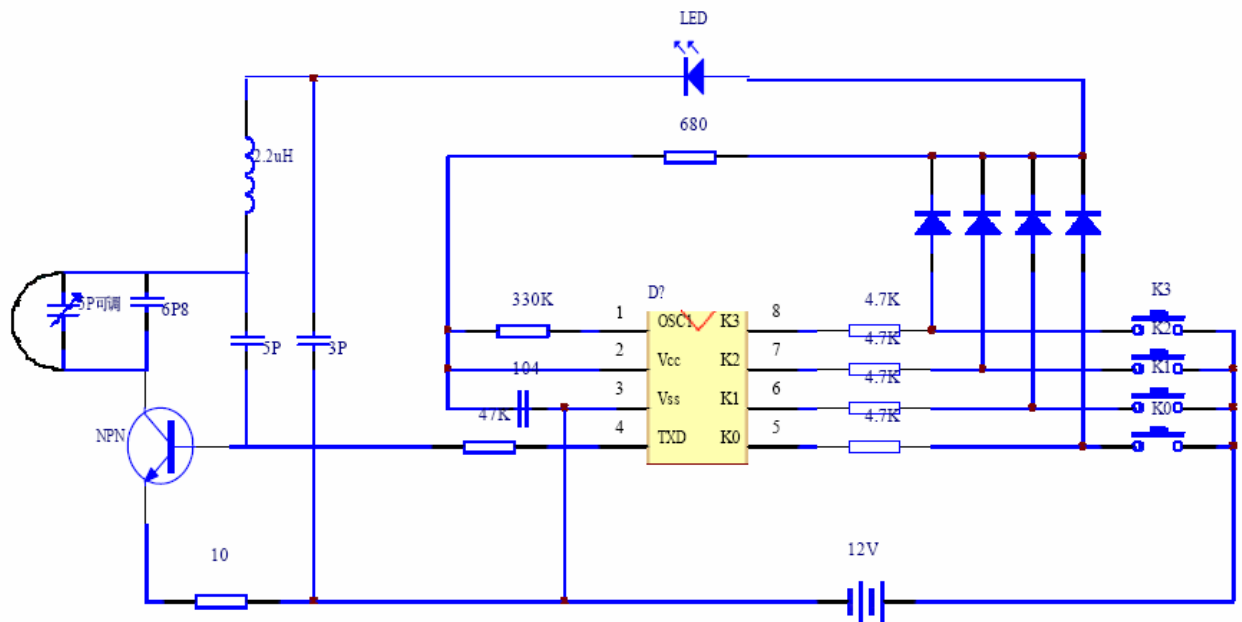
Http:// www.sc-tech.cn

EV1527 OTP Encoder

EV1527 Rosc& data cycle:(Compatible:EV1527,RT1527,FP1527)

| Rosc& TD: | | 12V | 11V | 10V | 9V | 8V | 7V | 6V | 5V | 4V |
|-----------|---------|---------|---------|---------|---------|---------|---------|---------|--------|--------|
| 300K | 1.34ms | 1.37ms | 1.41ms | 1.45ms | 1.5ms | 1.57ms | 1.66ms | 1.79ms | 1.99ms | 1.99ms |
| 330K | 1.48ms | 1.51ms | 1.55ms | 1.59ms | 1.64ms | 1.71ms | 1.81ms | 1.94ms | 2.19ms | 2.19ms |
| 360K | 1.71ms | 1.75ms | 1.79ms | 1.84ms | 1.91ms | 1.99ms | 2.11ms | 2.27ms | 2.53ms | 2.53ms |
| 390K | 1.82ms | 1.86ms | 1.91ms | 1.96ms | 2.03ms | 2.11ms | 2.24ms | 2.401ms | 2.69ms | 2.69ms |
| 430K | 2.035ms | 2.085ms | 2.135ms | 2.195ms | 2.265ms | 2.365ms | 2.505ms | 2.705ms | 3.01ms | 3.01ms |

EV1527 Schematic diagram:(Compatible:EV1527,RT1527,FP1527)



Silvan Chip Electronics Tech.Co.,Ltd.

Address: Fl.16 FuChang Building,Binhe Rd,Shenzhen,China

Phone: 86-0755-88291843 88304213 **Fax :** 86-0755-88290509

Email: jj@sc-tech.cn

Http:// www.sc-tech.cn